

Description

Olten highbay light special designed for high working temperature industrial ambient, even for up to 65~70°C. Advanced thermal management system allows superior heat dissipation ensuring long life with minimal lumen depreciation. 5 years warranty is offered for such harsh environment.

Key Features

- Outstanding cooling performance with excellent air cross-ventilation design
- 50,000 hours, long life at L70@70°C

Applications

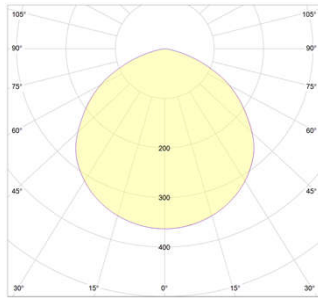
- Foundry
- Steel Production
- Glass Production
- Environments where Water Vapor is present
- Mine

Specifications

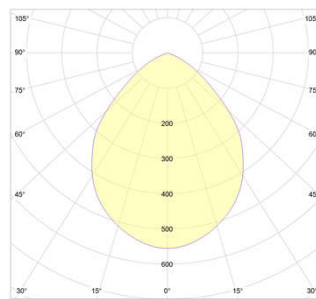
Model No.	SLHB31A100S	SLHB31A120S	SLHB31A150S	SLHB31A200S
Power Consumption	100W	120W	150W	200W
LED Type	Nichia SMD 3030			
Luminous Flux up to	16500lm	19800lm	24750lm	33000lm
Efficacy up to	165 lm/W			
Correlated Color Temperature	5000K (3000K, 4000K optional)			
Color Rendering Index	Ra70 (Ra80 optional)			
Beam Angle	A12 (120°) D09 (90°)			
Driver Type	Electronic			
Input Voltage	220-240 VAC			
Power Factor	>0.92			
Frequency	50 / 60 Hz			
Surge Protection	2kV line-line, 4kV line-earth			
Product Dimension	φ400x306mm			
Luminaire Net Weight	7.89±0.3kg			7.96±0.3kg
Export Carton Size	455x455x360mm			
Gross Weight	9.66±0.3kg			9.73±0.3kg
Material	Housing	Aluminum Alloy		
	Optics	Tempered glass		
Finish	Powder Coating			
Fixture Color	Black			
Protection Rating	IP65			
Mounting Option	Suspension mount			
Operating Temperature	-30°C to + 70°C			
Life Time	>50,000Hrs			
Warranty	5 Years			
Intelligent Control	Dimmable (final code -V)			
Accessory	ALU reflector			
	Non-adjustable ceiling mount bracket			
	Clear Tempered glass			
	Safety Chain - 250mm chain, M8 + M8 Hook			

The values in this technical data sheet are to be considered subject to tolerances

Photometry



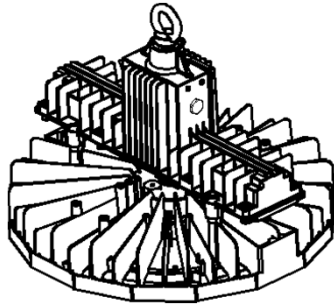
A12



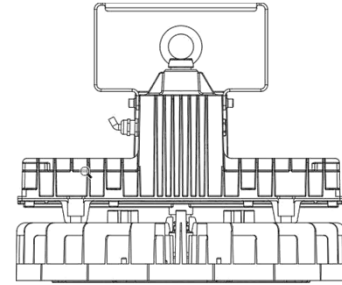
D09

Mounting Options

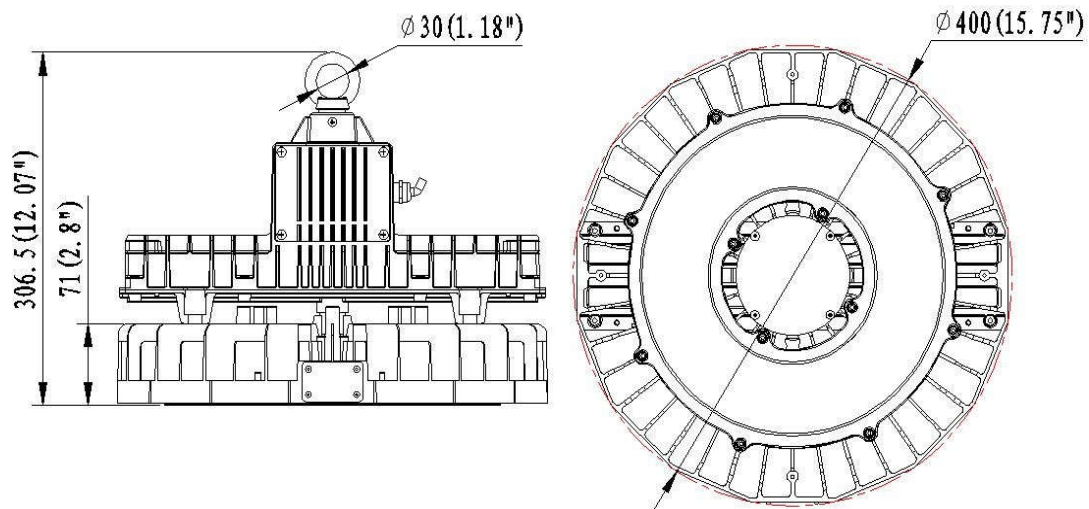
Hook mounting



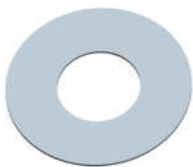
Ceiling Mounting



Dimensions



Accessories



clear



Safety



ALU reflector
(D09)



Bracket