



HEADQUARTER

Address: SwissLED AG, Alpenstrasse 11, P.O. Box 7622 | Switzerland

Ph . +41 41 720 33 58 / +41 41 720 33 56

E-mail: info@swissled.ch

Website: www.swissled.ch

ITALY BRANCH

Address: SwissLED SRL, Via dell'Edilizia 65 | 36100 Vicenza | Italia

Tel: +39 0444 960436 / +39 0444 961774

E-mail: info@swissled.it

Website: www.swissled.it

Trunking Rail



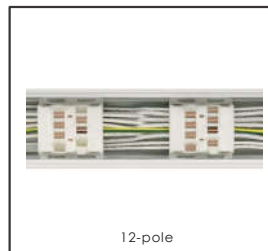
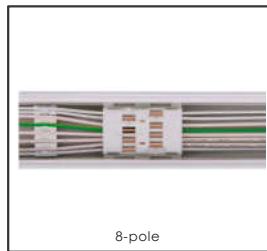
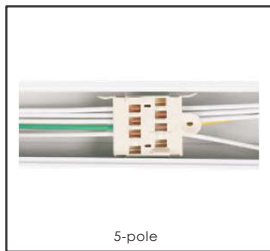
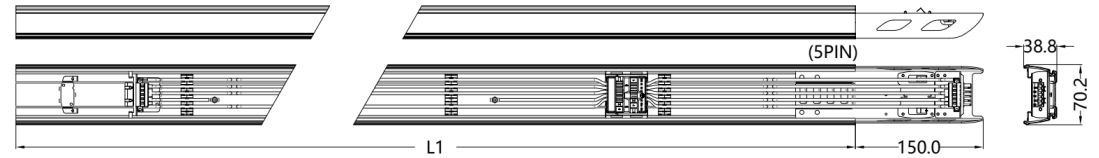
L1, L2, L3, N, PE

L1, L2, L3, N, PE, CHR, Dim+, Dim-

L1, L2, L3, N, PE, CHR, Dim+, Dim-, EL1, EN1, EL2, EN2

16A 2.5mm² single core, support max 3500W (eg: 70pcs x 50W)

Support Triple circuit, one row support 3 switches



5 Wires

Type	Description	L	W	H
SLTL88CCFTN05	5 wires	1500	70	39
SLTL88DCFTN05	5 wires	3000	70	39

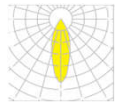
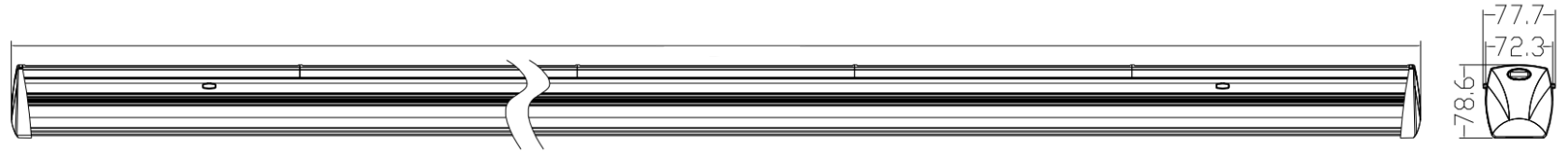
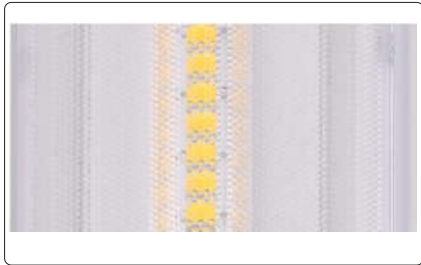
8 Wires

Type	Description	L	W	H
SLTL88CCFTN08	8 wires	1500	70	39
SLTL88DCFTN08	8 wires	3000	70	39

12 Wires

Type	Description	L	W	H
SLTL88CCFTN12	12 wires	1500	70	39
SLTL88DCFTN12	12 wires	3000	70	39

LED Module with DIP Driver



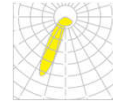
Model	Power W	Beam angle	lm/W	L	W	H
SLTL88E050V 840 030	35-40-45-50	30°	160lm/w	1500	77	39
SLTL88E070V 840 030	55-60-65-70	30°	160lm/w	1500	77	39



Model	Power W	Beam angle	lm/W	L	W	H
SLTL88E050V 840 120	35-40-45-50	120°	160lm/w	1500	77	39
SLTL88E070V 840 120	55-60-65-70	120°	160lm/w	1500	77	39



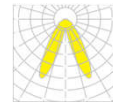
Model	Power W	Beam angle	lm/W	L	W	H
SLTL88E050V 840 060	35-40-45-50	60°	160lm/w	1500	77	39
SLTL88E070V 840 060	55-60-65-70	60°	160lm/w	1500	77	39



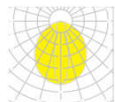
Model	Power	Beam angle	lm/W	L	W	H
SLTL88E050V 840 S25	35-40-45-50	SA25°	160lm/w	1500	77	39
SLTL88E070V 840 S25	55-60-65-70	SA25°	160lm/w	1500	77	39



Model	Power W	Beam angle	lm/W	L	W	H
SLTL88E050V 840 090	35-40-45-50	90°	160lm/w	1500	77	39
SLTL88E070V 840 090	55-60-65-70	90°	160lm/w	1500	77	39



Model	Power	Beam angle	lm/W	L	W	H
SLTL88E050V 840 D25	35-40-45-50	DA25°	160lm/w	1500	77	39
SLTL88E070V 840 D25	55-60-65-70	DA25°	160lm/w	1500	77	39



Model	Power W	Beam angle	lm/W	L	W	H
SLTL88E035V 840 110	35-40-45-50	30x110°	160lm/w	1500	77	39
SLTL88E050V 840 110	55-60-65-70	30x110°	160lm/w	1500	77	39

DIP Driver, You can then select the power you want, 4 step 35W, 40W, 45W and 50W for SLTL88E050S and 55W, 60W, 65W and 70W for SLTL88E070S

Final code (V)-D for Dali
Final code (V)-E for Emergency



Description

S-LINE Linear Lighting System is an energy-efficient, low maintenance better alternative to traditional linear fluorescent in a variety of industrial, commercial and light assembly applications. It is the optimal solution for conventional lighting systems and also excellent for new installations due to its low installation cost - everything in one box and installation is tool-less. It saves both time and costs when installing lighting systems

Key Features

- High brightness, up to 11000 lumens and 160lm/W
- Easy to install, reducing time, labor, packaging waste and complexity
- Flexible solution

Applications

- Warehouse,
- Factories
- Shopping Mall
- Supermarkets

Specifications

Model No.	SLTL88E050V	SLTL88E070V		
Power Consumption	35-40-45-50	55-60-65-70		
LED Type	SMD 2835			
Luminous Flux	5600-8000	8800-11200		
Efficacy	160lm/W(4000K Ra80)			
Correlated Color	4000K (3000K, 5000K optional)			
Color Rendering Index	Ra80			
Beam Angle	030 060 090 30x110 120 SA25 DA25			
Driver Type	Electronic driver internal			
Input Voltage	AC220-240V			
Power Factor	>0.95			
Frequency	50 / 60 Hz			
Product Dim (mm)	1500x77x39			
Luminaire Net Weight	3,6Kg	3,6Kg		
Material	Housing	Alluminium		
	Optics	Polycarbonate UV stabilized self-extinguishing		
Finish	White			
Insulation Class	Class I			
Protection Rating	IP20			
Operating Temperature	-20°C to +45°C			
Life Time	>60,000Hrs (Ta=25°C@L80)			
Warranty	5 Years			
Optional	Emergency (final code -E)			
	0-10V dimming (final code -V)			
	Microwave Sensor (final code -Q)			
	Optional Dali (final code -D)			

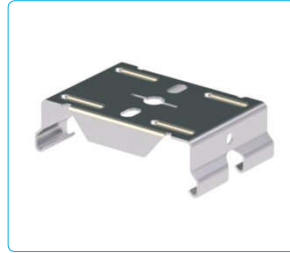
Accessory



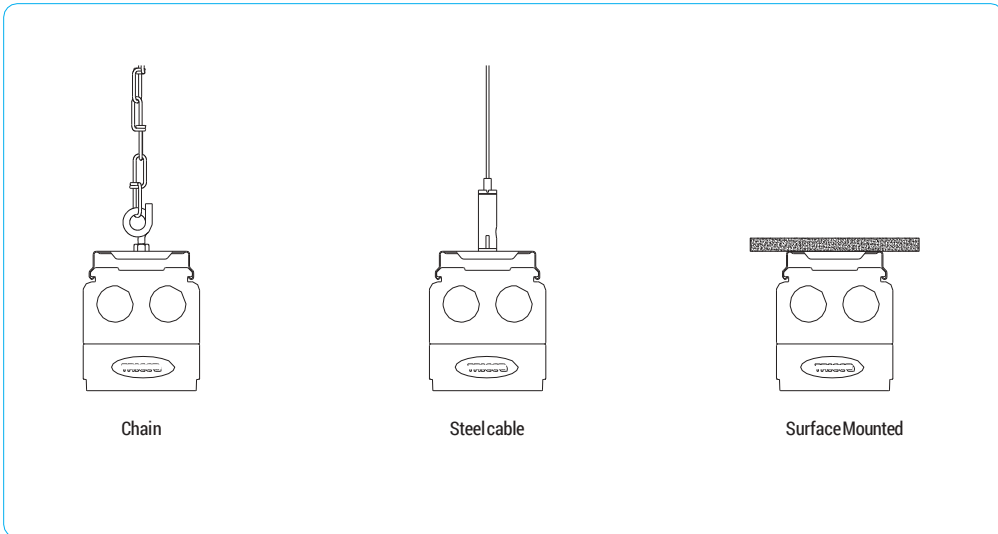
SLTL88CH3000
Chain suspension kit



SLTL88CO3000
Steel cable suspension kit



SLTL88SU
Surface mounting kit

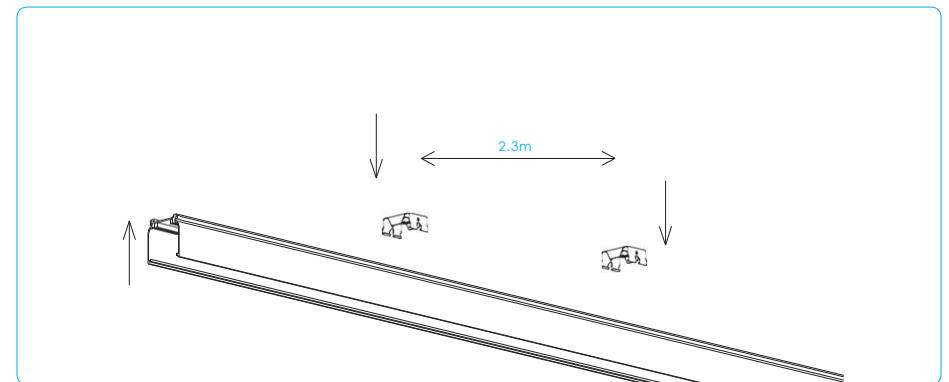
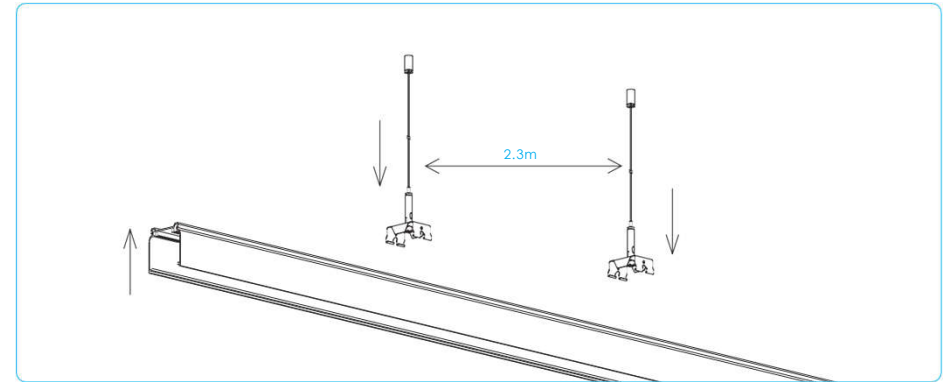
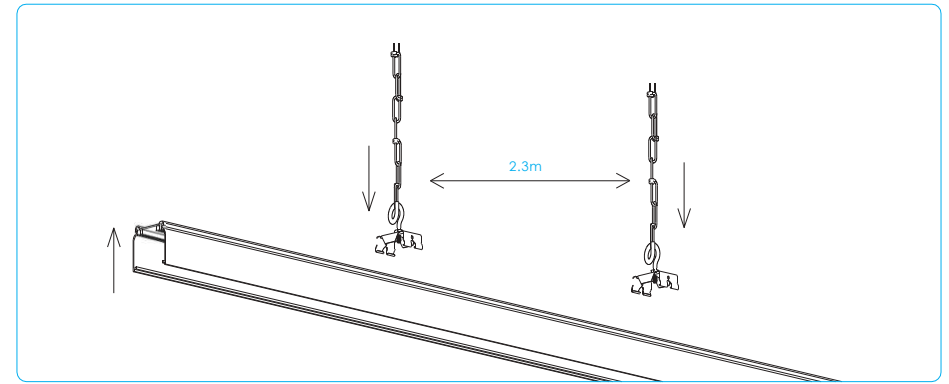


Chain

Steel cable

Surface Mounted

Installation Distance



Accessory

End Cap

Model No: SLTL88EC
1 unit required per line



AC input Terminal

Model No:
SLTL88FN05/08/12 for
power cable feed in.



Input cable protector

Model No: SLTL88CG
pc



Terminal Feed out Box

Model No:
SLTL88BT05/08/12



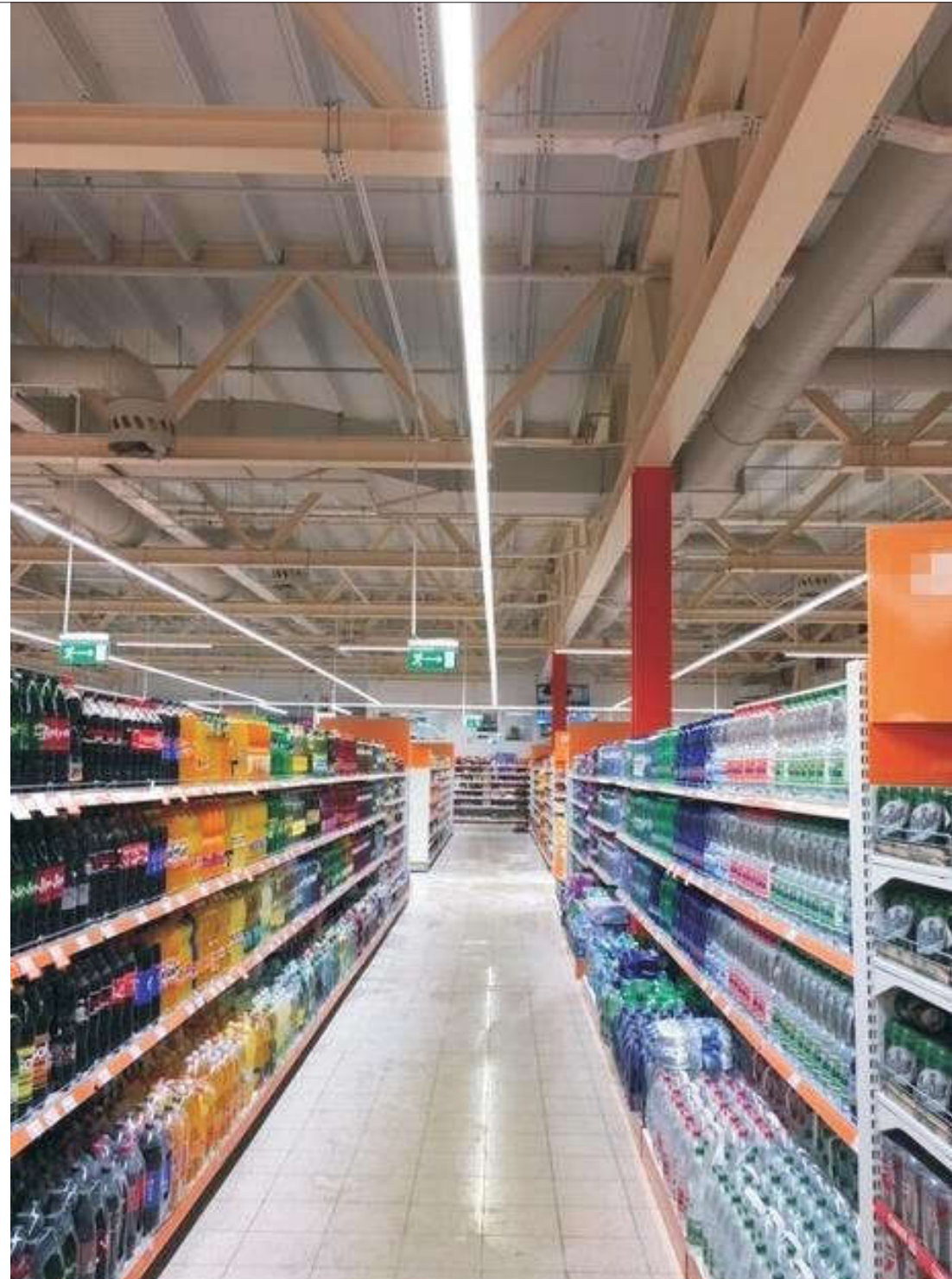
Terminal Feed In Box - Start unit

Model No:
SLTL88BF05/08/12
for power cable feed in.



Universal node connector

Model: SLTL88XX05/08/12
stands for option which defines
the feed-in feed out point of
X Node Connector.
SLTL88LX05/08/12 for L Node
Connector
SLTL88TX05/08/12 for T Node
Connector



Optic Beam Angle

